

THE UNITED REPUBLIC OF TANZANIA
NATIONAL EXAMINATIONS COUNCIL
CERTIFICATE OF SECONDARY EDUCATION EXAMINATION

084

ELECTRICAL DRAUGHTING
(For Both School and Private Candidates)

TIME: 3 Hours

2006/10/11 p.m.

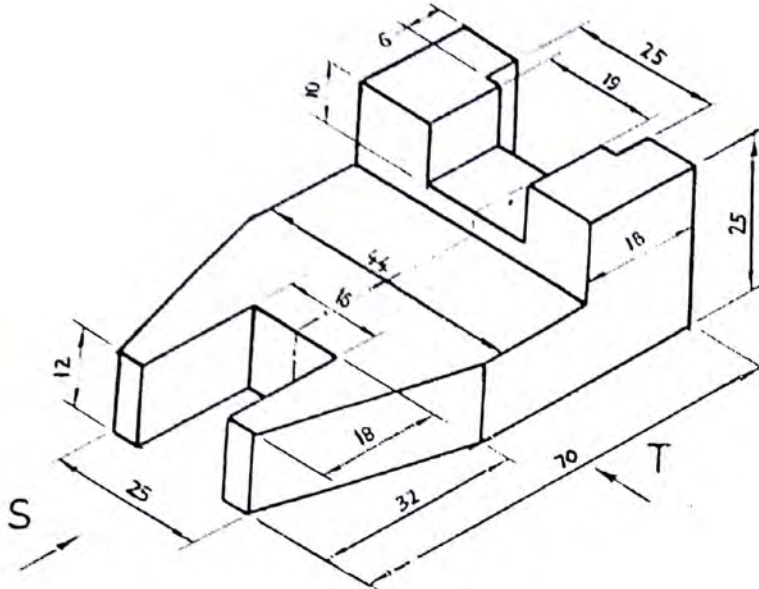
Instructions

1. This paper consists of six questions.
2. Answer question number 1 and any other three (3) questions.
3. Electronic calculators are **not** allowed in the examination room.
4. Cellular phones are **not** allowed in the examination room.
5. Write your **Examination Number** on every page of your answer booklet(s).

CS_06

This paper consists of 2 printed pages.

1. The pictorial diagram shown below is a guide. Draw full size in **THIRD ANGLE** orthographic projection, the following views as shown:
- Front elevation in direction of arrow T.
 - End elevation in direction of arrow S.
 - Plan view projected from view (a).



(40 marks)

2. Make sketches of the following electronic logic circuit gates and electronic devices:

- NOR
- AND
- NAND
- OR
- Zener diode
- Capacitor
- Diode
- Transformer.

(20 marks)

3. Draw a one-line diagram of a single light/bulb controlled from two different positions (stations). (20 marks)

4. (a) List **eight (8)** major types of drawings commonly used in the electronics industry. (20 marks)
 (b) Name **four (4)** sizes of drawing papers.

5. Sketch a cable laying schemes using the correct symbols. (20 marks)

6. (a) State six logical sequence of steps used to draw a block diagram.
 (b) Define the following terms:

- Reference designator
- Crossover
- Dogleg.

(20 marks)